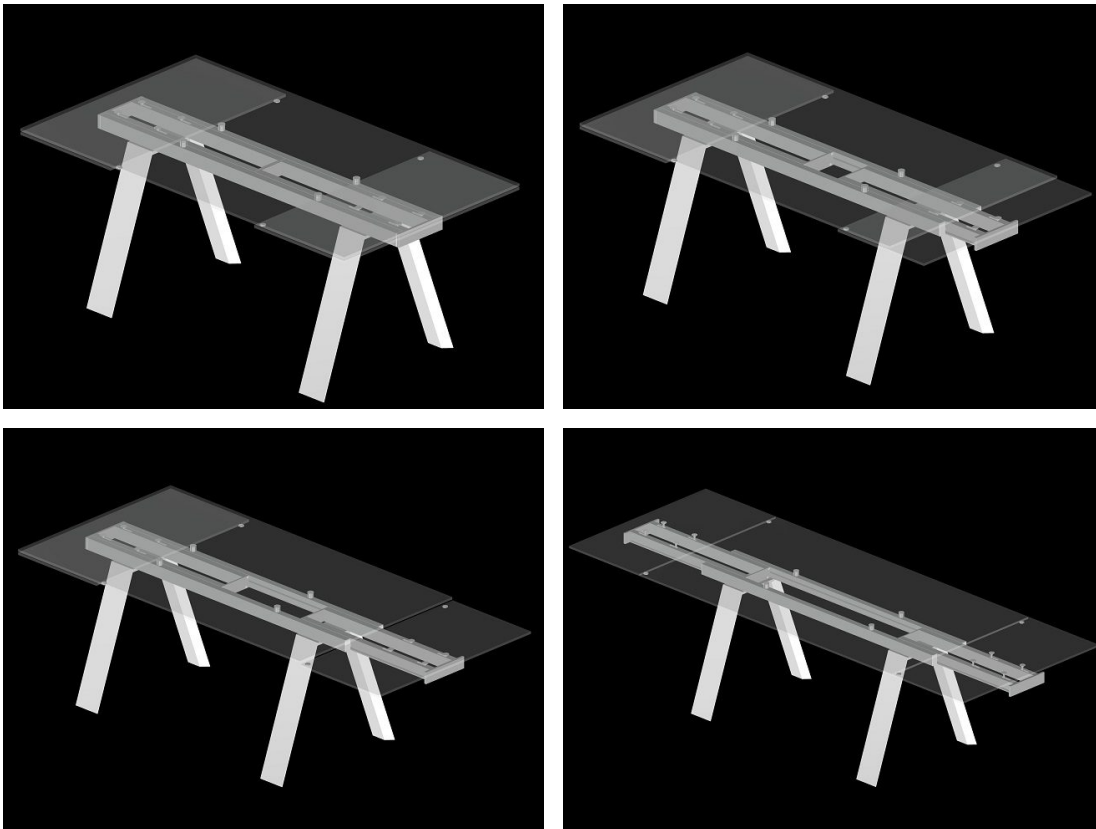


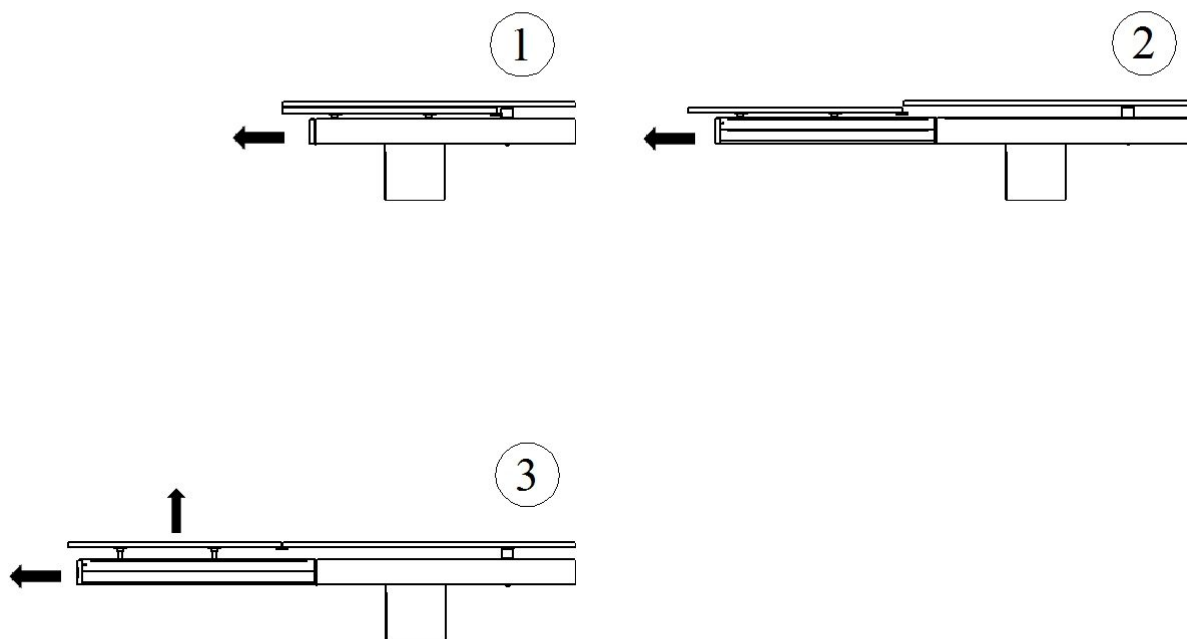
M14

Triple parallel mechanism in aluminium, automatic extending top

Parallel mechanism that moves on nylon-coated ball bearings. The innovation of this system lies in the ease of opening the individual extensions; operating from the front, at its full extent the extension can be lifted by light pressure and automatically aligns with the surface. The system is suitable for use with tripod or similar legs. Mechanism for fixed legs. A mechanism is available on request complete with legs and customisations.



Opening:



Finishings:



Standard Sizes:

Dimensions (table closed/open)

1000×1800/2300-2800

1000×2000/2500-3000

Table top thickness max 12mm